

8 7 6 5 4 3 2 1

D

D

C

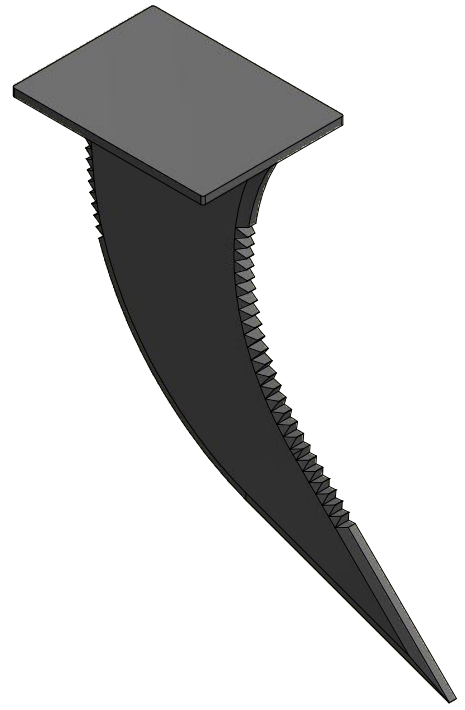
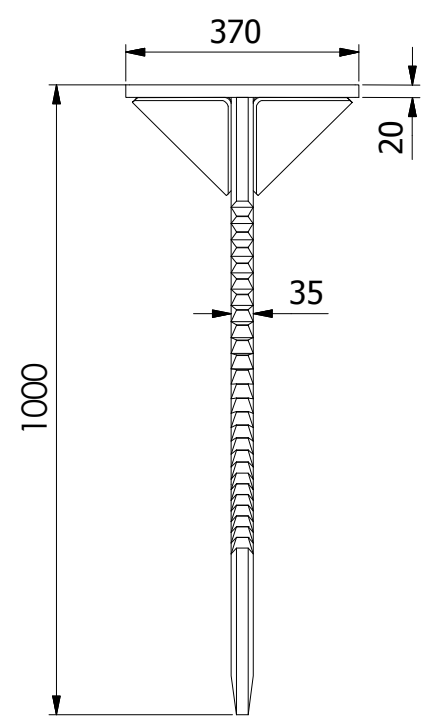
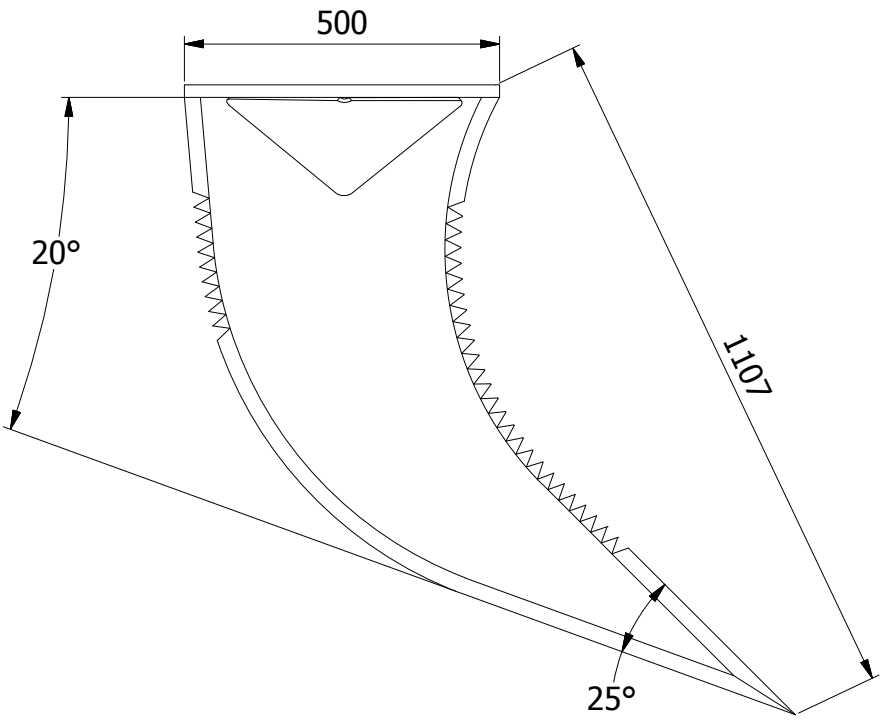
C

B

B

A

A



| MATERIAL SPECIFICATION |  |
|------------------------|--|
| ST52.3                 |  |
| EN8D                   |  |
| HB 400                 |  |
| HB 450                 |  |
| CASALLOY STEEL         |  |

| <b>SCANBOLT®</b> |                            |
|------------------|----------------------------|
| DESCRIPTION      | RIPPER WITH SERRATED TEETH |
| MACHINE CLASS    | 6.0 - 10 TON               |
| WEIGHT           | 133.6 Kg                   |
| HEAPED CAPACITY  | N/A                        |

8 7 6 5 4 3 2 1